



COMMONWEALTH OF KENTUCKY
TRANSPORTATION CABINET
www.transportation.ky.gov/

Andy Beshear
GOVERNOR

Jim Gray
SECRETARY

February 22, 2022

CALL NO. 101
CONTRACT ID NO. 221007
ADDENDUM # 2

Subject: Hopkins County, NHPP 0021 (063)
Letting February 24, 2022

(1) Added - Detail Sheet - Page 46(a) of 196

Proposal revisions are available at <http://transportation.ky.gov/Construction-Procurement/>.

If you have any questions, please contact us at 502-564-3500.

Sincerely,

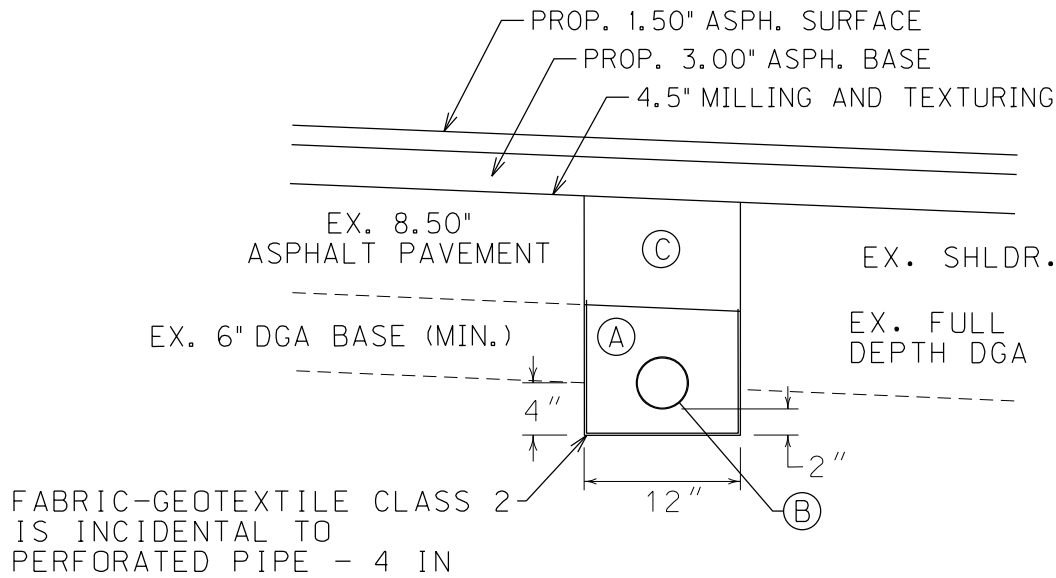
Rachel Mills,

A handwritten signature in cursive script that reads "Rachel Mills".

Rachel Mills, P.E.
Director
Division of Construction Procurement

RM:mr
Enclosures

COUNTY OF	ITEM NO.
HOPKINS	2-20034



- (A) CRUSHED AGGREGATE SIZE No. 57 (NO SAND)
- (B) PERFORATED PIPE - 4" (NO SOCK)
NON-PERFORATED PIPE - 4" (OUTLET)
- (C) 8.50" (2 - 4.25" LIFTS) CL 3 ASPH. BASE 1.00D PG 64-22

PERFORATED PIPE
DRAIN REPLACEMENT
(WITH EXISTING ASPHALT)

* QUANTITIES TO BID

71	CRUSHED AGGREGATE SIZE NO. 57	TON
78	CRUSHED AGGREGATE SIZE NO. 2	TON
214	CL3 ASPH BASE 1.00D PG64-22	TON
1000	PERFORATED PIPE - 4 IN	LF
1010	NON-PERFORATED PIPE - 4 IN	LF
1020	PERF PIPE HEADWALL TY 1-4 IN	EACH
1024	PERF PIPE HEADWALL TY 2-4 IN	EACH
1028	PERF PIPE HEADWALL TY 3-4 IN	EACH

* Only items listed will be considered for payment and will be considered for full compensation for the work required. Any other items of work not listed for payment will be considered incidental to other items of work.

NOT TO SCALE

DETAIL SHEET